

Position Transducers up to 900 mm

LWH Series



Special features

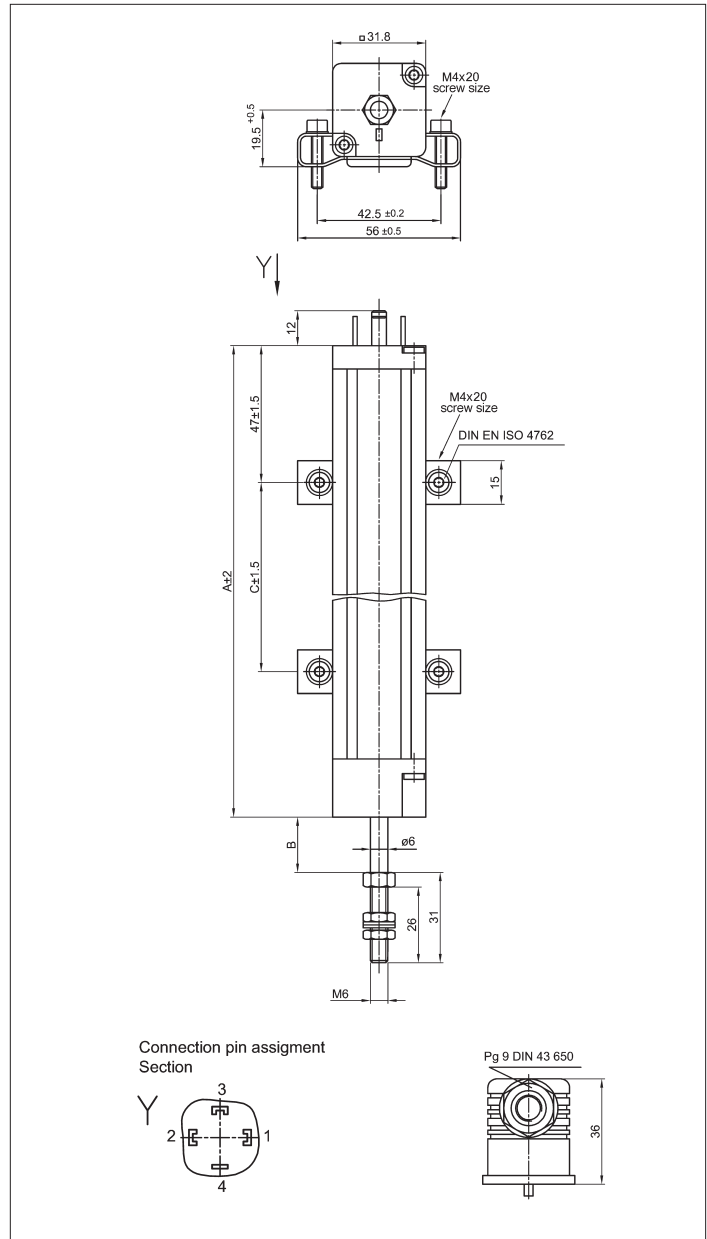
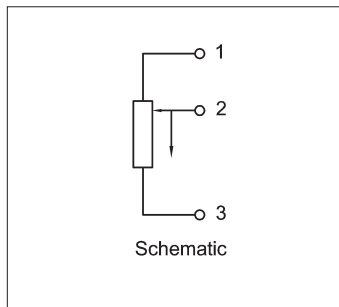
- very long life > 100 x 10⁶ movements
- outstanding linearity
- high resolution 0.01 mm
- very high operating speed
- connection via plug and socket to DIN 43 650 (hydraulic connector)
- protection class IP 54

LWH transducers are designed for the direct, absolute measurement of displacement or length in control regulation and measuring applications. High resolution (0.01 mm) combined with a stroke length of up to 900 mm permits the accurate measurement of linear displacement. Rack and pinions or similar devices are not required because the design of the transducers is such that they may be built directly into the mechanical system.

Tighter tolerances on the extruded body combined with a special surface treatment permit high operating speeds and reduced wear. A pivoting front bearing overcomes "stick-slip" operation even where some angular or out of parallel errors are present. The technique for fixing and making connections to the resistance track ensures the highest degree of reliability even under harsh working conditions.

The transducer has mounting grooves on all four housing surfaces. Thus the transducer can always be mounted with the resistance element directed upwards (recognizable by the position of the middle mounting groove directly across from the resistance element), independent of the mounting surface.

By mounting overhead on difficult-to-reach machines it is possible to pre-mount the clamps to the mounting surface and then simply "snap-on" the transducer.



Description

Housing	aluminum, anodized
Fixings	see drawing, "snap-on" clamps, adjustable
Actuator	stainless steel, rotatable
Bearings	pivoting sleeve bearing
Resistance element	conductive plastic
Wiper assembly	precious metal multi-finger wiper, elastomer-damped
Electrical connections	4-pole socket to DIN 43650

Type designations	LWH 75	LWH 100	LWH 130	LWH 150	LWH 225	LWH 300	LWH 360	LWH 450	LWH 500	LWH 600	LWH 750	LWH 900	
Electrical Data													
Defined electrical range	75	100	130	150	225	300	360	450	500	600	750	900	mm
Electrical stroke	76	102	132	152	228	304	366	457	508	610	762	914	mm
Nominal resistance	3	3	3	5	5	5	5	5	5	5	10	10	kΩ
Resistance tolerance	20												±%
Independent linearity	0.1	0.1	0.09	0.08	0.07	0.06	0.05	0.05	0.05	0.05	0.04	0.04	±%
Repeatability	0.01												mm
Recommended operating wiper current	≤ 1												μA
Max. wiper current in case of malfunction	10												mA
Max. permissible applied voltage	42												V
Effective temperature coefficient of the output-to-applied voltage ratio	typical 5												ppm/K
Insulation resistance (500 VDC, 1 bar, 2 s)	≥ 10												MΩ
Dielectric strength (50 Hz, 2 s, 1 bar, 500 VAC)	≤ 100												μA
Mechanical Data													
Body length (dimension A)	148	173	203	223	300	375	438	528	579	680	833	985	±2 mm
Mechanical stroke (dimension B)	83	109	139	160	236	312	373	465	515	617	769	922	±2 mm
Pacing of fixing clamps (dimension C)	52.5	77.5	108.5	128.5	204.5	280.5	343.5	433.5	484.5	585.5	738.5	890.5	±1.5 mm
Total weight	220	250	290	320	410	500	570	680	740	870	1050	1230	g
Weight of actuator and wiper	50	55	60	65	85	100	115	135	145	170	210	245	g
Operating force horizontal	< 10												N
vertical	< 10												N
Max. permitted torque for fixing screws (with washers)	240												Ncm

Environmental Data		
Temperature range	-30...+100	°C
Vibration	5...2000 A _{max} = 0.75 a _{max} = 20	Hz mm g
Shock	50 11	g ms
Life	> 100 x 10 ⁶	movements
Operating speed	10	m/s max.
Operational acceleration	200 (20 g)	m/s ² max.
Protection class	IP 54 (DIN 400 50 / IEC 529)	

Included in delivery

1 plug connector GDM 3009,
1 sealing gasket GDM 3-16,
2 fixing clamps with 4 screws

Recommended accessories

Pivot head (see accessories)
Z 60
Process-controlled indicators
MAP...with display Signal
conditioner MUW.../MUK...
for standardized output signals

Order designations	
Type	Art. no.
LWH 75	024303
LWH 100	024304
LWH 130	024305
LWH 150	024306
LWH 225	024309
LWH 300	024312
LWH 360	024314
LWH 450	024318
LWH 500	024320
LWH 600	024324
LWH 750	024330
LWH 900	024336

Other lengths on request

Important

All values given for this series – including linearity, lifetime, micro-linearity, resistance to external disturbances and temperature coefficient in voltage dividing mode – are quoted for the device operating with the wiper voltage driving an operational amplifier working as a voltage follower where virtually no load is applied to the wiper (I_e ≤ 1 μA).

Subject to changes

© November 2004

Novotechnik U.S., Inc. All rights reserved.